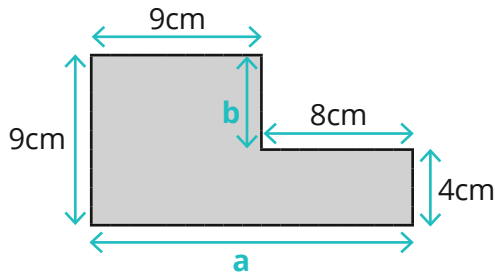
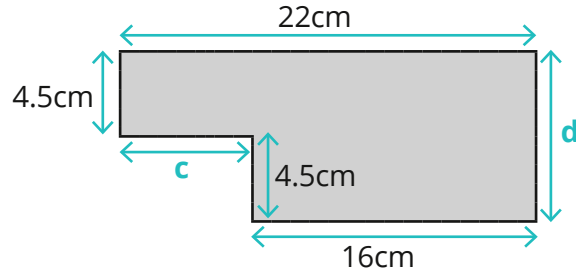


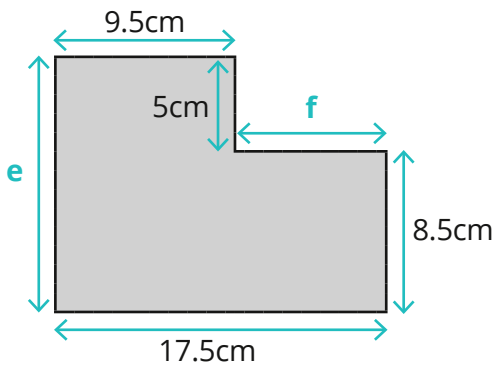
2. Find the length of the sides marked with a letter in these diagrams.



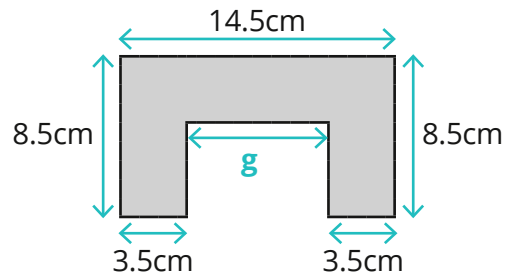
$a =$    $b =$



$c =$    $d =$

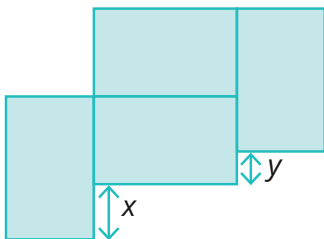


$e =$    $f =$



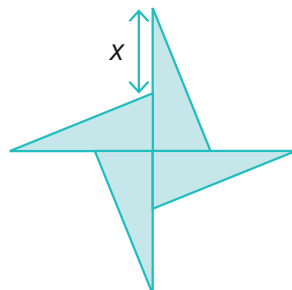
$g =$

3. The design is made from identical rectangles with length 10.5cm and width 6.5cm. Find the length of  $x$  and  $y$ .



$x =$    $y =$

4. This design is made from identical right-angled triangles with sides of 5cm, 12cm and 13cm. Find the length of  $x$ .



$x =$   cm